

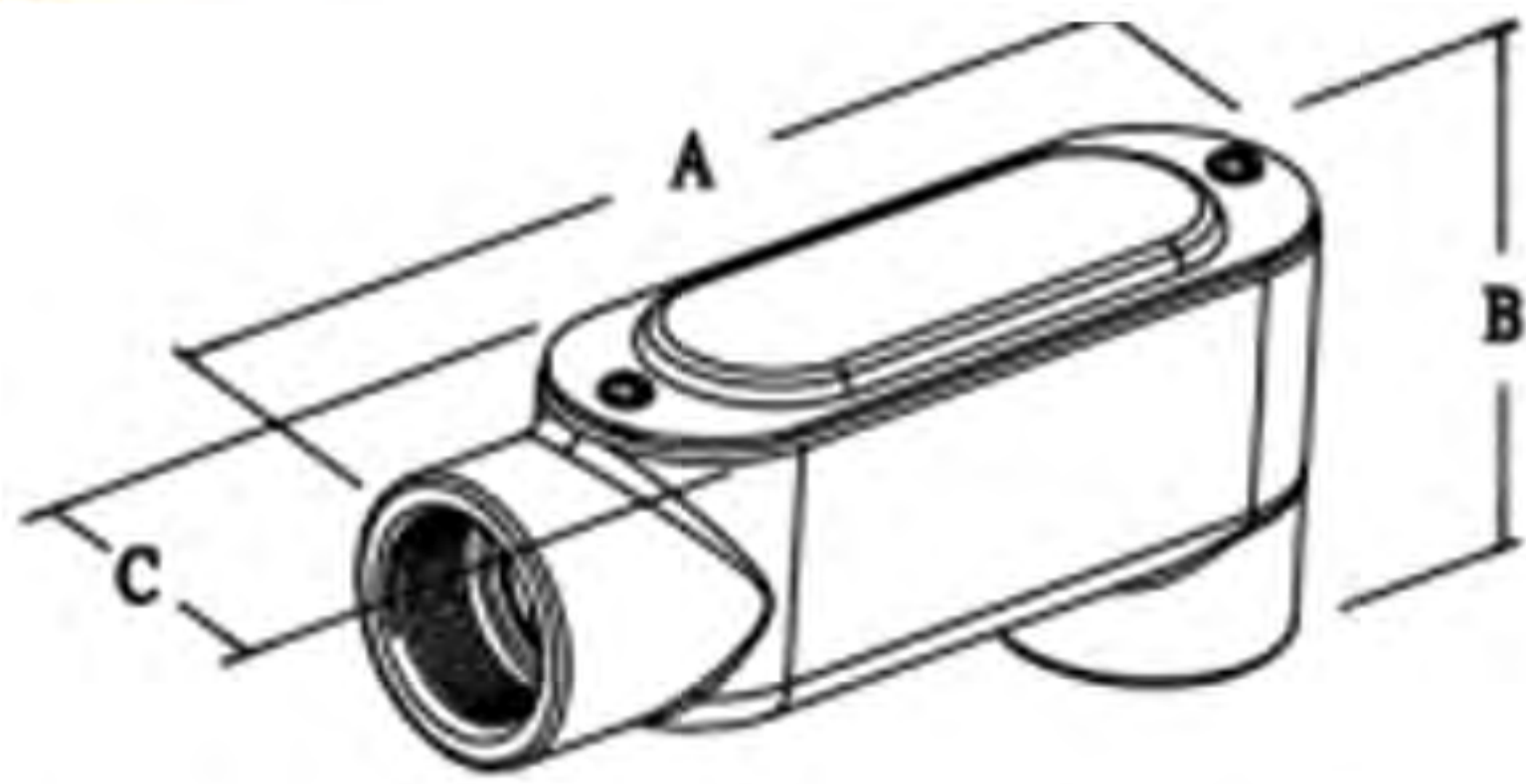


# STAINLESS STEEL ELECTRICAL FITTINGS

Leaderful Techonology (Ningbo) Co., Ltd.

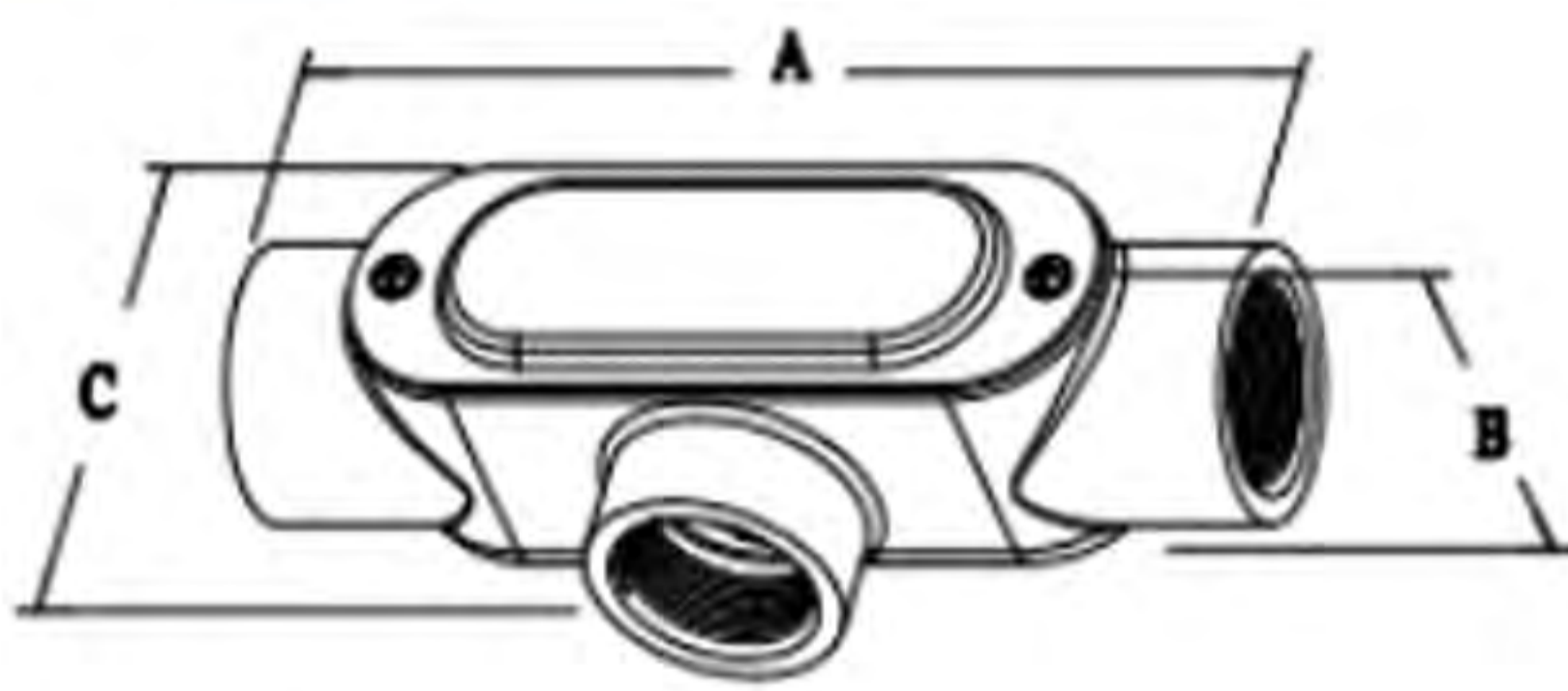
# 316 Stainless Steel Conduit Body

## LB Type



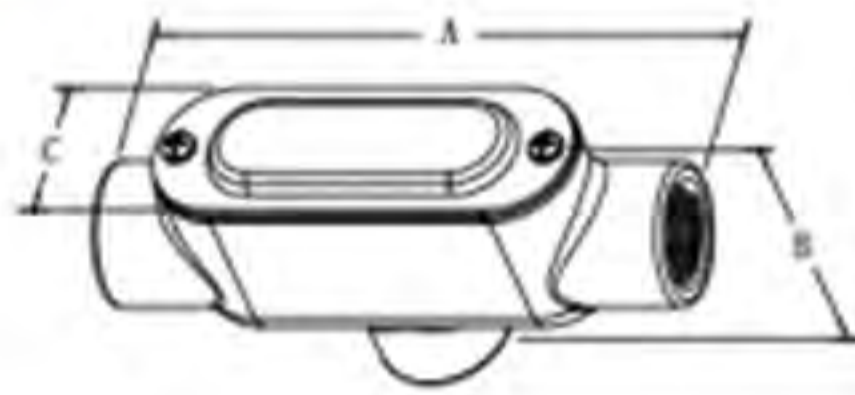
Size	Cat. #	Dimensions						
		A		B		C		
		Inch	mm	Inch	mm	Inch	mm	
1/2"	LB18SSSC	5.12	130.0	2.60	66.0	2.60	66.0	w/ cover&gaske
3/4"	LB28SSSC	5.79	147.1	2.86	72.6	1.64	41.7	w/ cover&gaske
1"	LB38SSSC	6.59	167.4	3.23	82.0	1.85	47.0	w/ cover&gaske
1-1/4"	LB48SSSC	7.73	196.3	3.56	90.4	2.24	56.9	w/ cover&gaske
1-1/2"	LB58SSSC	9.05	229.9	4.03	102.4	2.81	71.4	w/ cover&gaske
2"	LB68SSSC	11.06	280.9	4.88	124.0	3.81	96.8	w/ cover&gaske
3"	LB88SSSC	14.25	362.0	6.86	174.2	5.06	128.5	w/ cover&gaske
4"	LB108SSSC	16.86	428.2	8.06	204.7	6.30	160.0	w/ cover&gaske

## T Type



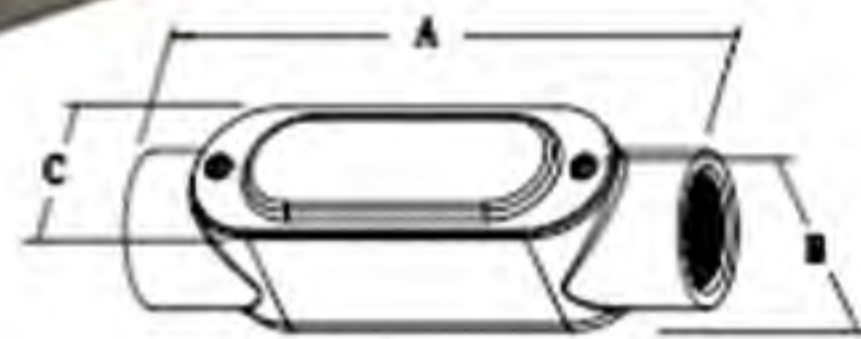
Size	Cat. #	A		B		C		
		Inch	mm	Inch	mm	Inch	mm	
1/2"	T18SSSC	5.97	151.6	1.79	45.5	2.24	56.9	w/ cover&gaske
3/4"	T28SSSC	6.68	169.7	2.04	51.8	2.46	62.5	w/ cover&gaske
1"	T38SSSC	7.56	192.0	2.30	58.4	2.77	70.4	w/ cover&gaske
1-1/4"	T48SSSC	8.81	223.8	2.64	67.1	3.16	80.3	w/ cover&gaske
1-1/2"	T58SSSC	10.17	258.3	3.05	77.5	3.80	96.5	w/ cover&gaske
2"	T68SSSC	12.34	313.4	4.04	102.6	4.93	125.2	w/ cover&gaske
3"	T88SSSC	16.20	411.5	5.38	136.7	6.64	168.7	w/ cover&gaske
4"	T108SSSC	16.20	411.5	6.25	158.8	6.64	168.7	w/ cover&gaske

## TB Type



Size	Cat. #	A		B		C		
		Inch	mm	Inch	mm	Inch	mm	
3/4"	TB28SSSC	6.68	169.7	3.16	51.8	1.65	62.5	w/ cover&gaske
1"	TB38SSSC	7.56	192.0	3.53	58.4	1.85	70.4	w/ cover&gaske
1-1/4"	TB48SSSC	8.81	223.8	3.57	67.1	2.24	80.3	w/ cover&gaske
1-1/2"	TB58SSSC	10.17	258.3	4.16	77.5	2.82	96.5	w/ cover&gaske
2"	TB68SSSC	12.34	313.4	5.16	102.6	3.82	125.2	w/ cover&gaske

## C Type



Size	Cat. #	A		B		C		
		Inch	mm	Inch	mm	Inch	mm	
1/2"	C18SSSC	5.97	151.6	1.79	45.5	1.50	38.1	w/ cover&gaske
3/4"	C28SSSC	6.68	169.7	2.04	51.8	1.64	41.7	w/ cover&gaske
1"	C38SSSC	7.56	192.0	2.30	58.4	1.85	47.0	w/ cover&gaske

## LL&LR Type



LL

LR

Size	Cat. #	A		B		C		
		Inch	mm	Inch	mm	Inch	mm	
3/4"	LL28SSSC	5.97	147.1	2.04	51.8	2.46	62.5	w/ cover&gaske
1"	LL38SSSC	6.59	167.4	2.30	58.4	2.77	70.4	w/ cover&gaske
3/4"	LR28SSSC	5.79	147.1	2.04	51.8	2.46	62.5	w/ cover&gaske
1"	LR38SSSC	6.59	167.4	2.30	58.4	2.77	70.4	w/ cover&gaske

# 316 Stainless Steel Device Boxes & Covers, with grounding screw

## FD



		Dimensions					
Size	Cat. #	A		B		C	
		Inch	mm	Inch	mm	Inch	mm
1/2"	FD1SS	2.90	73.7	6.07	154.2	2.93	74.4
3/4"	FD2SS	2.90	73.7	6.07	154.2	2.93	74.4
1	FD3SS	2.90	73.7	6.07	154.2	2.93	74.4

## FDC



1/2"	FDC1SS	2.90	73.7	6.11	155.1	2.93	74.4
3/4"	FDC2SS	2.90	73.7	6.11	155.1	2.93	74.4
1	FDC3SS	2.90	73.7	6.11	155.1	2.93	74.4

## FDS



1/2"	FDS1SS	2.90	73.7	6.11	155.1	2.93	74.4
3/4"	FDS2SS	2.90	73.7	6.11	155.1	2.93	74.4
1	FDS3SS	2.90	73.7	6.11	155.1	2.93	74.4

## FDA



1/2"	FDA1SS	3.80	96.5	4.63	117.6	2.93	74.4
3/4"	FDA2SS	3.80	96.5	4.63	117.6	2.93	74.4
1	FDA3SS	3.80	96.5	4.63	117.6	2.93	74.4

## FDX



1/2"	FDX1SS	2.90	73.7	6.11	155.1	4.50	114.3
3/4"	FDX2SS	2.90	73.7	6.11	155.1	4.50	114.3
1	FDX3SS	2.90	73.7	6.11	155.1	4.50	114.3

## Covers with gasket

Cat. #	Description
FSBCSS	Stamped Stainless steel blank cover with gasket
FSBCSSC	Casting Stainless steel blank cover with gasket
FSTSSS	Stamped Stainless steel toggle switch cover with gasket
FSDRSS	Stamped Stainless steel receptacle cover with gasket



FSBCSS



FSBCSSC



FSTSSS



FSDRSS

With gasket/Screws

# 316 Stainless Steel Conduit Fittings

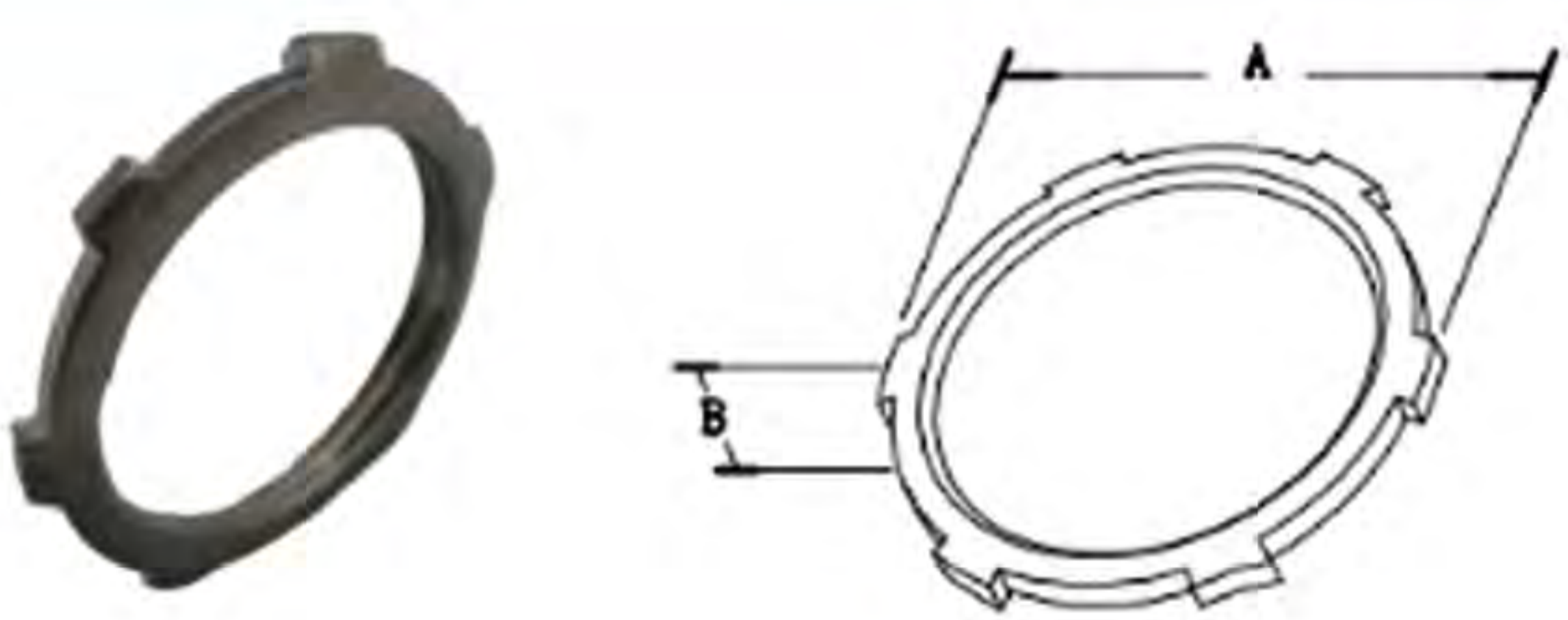
Stainless steel fittings deliver unbeatable corrosion protection where you need it, saving you time and money throughout the life of your facility. It is a long-term solution for even the most extreme environments.


## Features

- 316 Stainless steel fittings are superior resistance to corrosion and heat during its life;
- Self healing property do not need finishing or coating, do not worry about its durability;
- Retain its strength on very high and low temperature comparing with other traditional material;
- Superior strength from stainless steel material and very good look as new all during its life time;
- Stainless steel fittings are ideal for industrial MRO and OEM applications in food and beverage, pharmaceutical, petrochemical, wastewater, salt water and other corrosive environments.

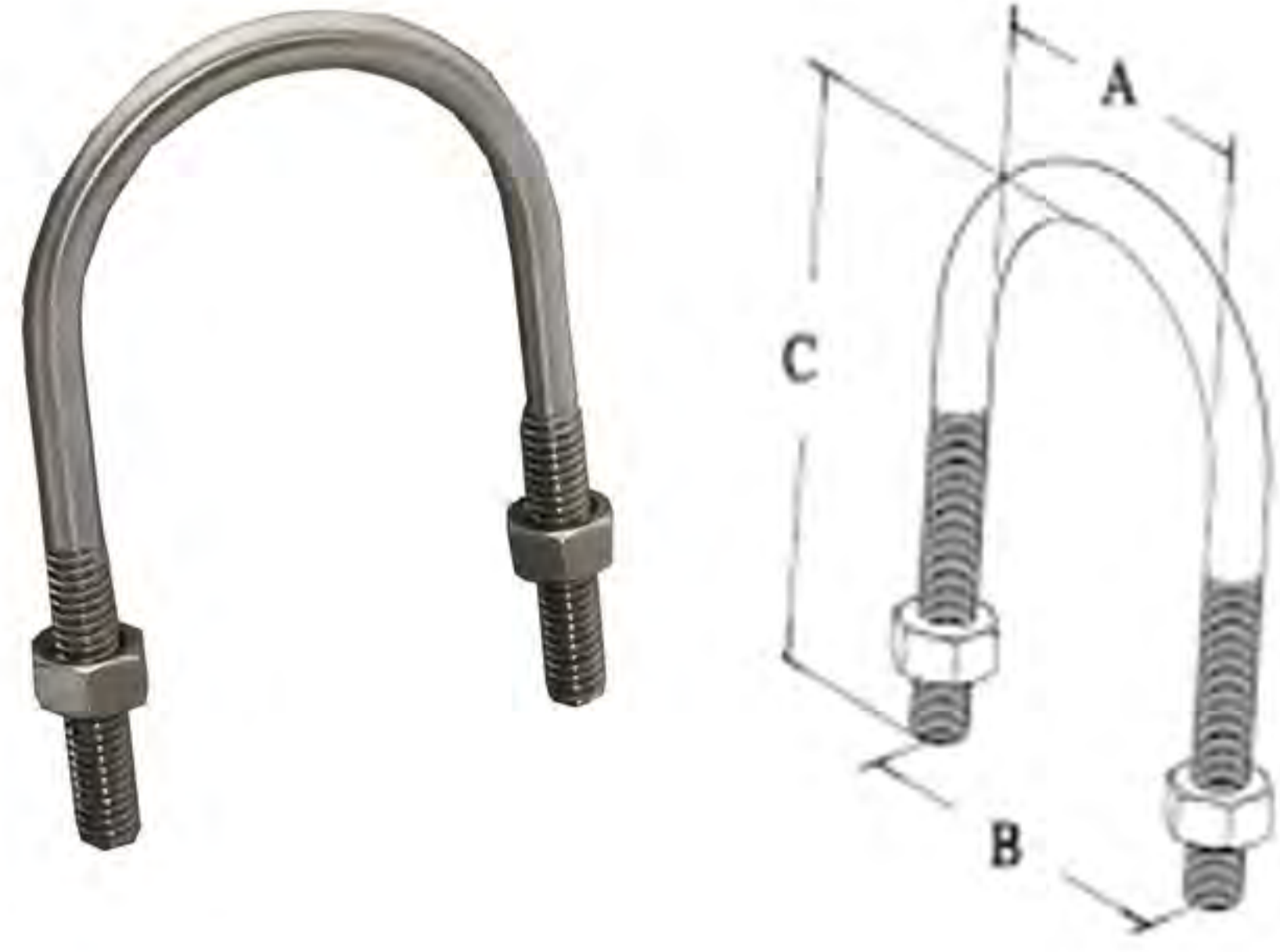
## Standard Materials/Finishes

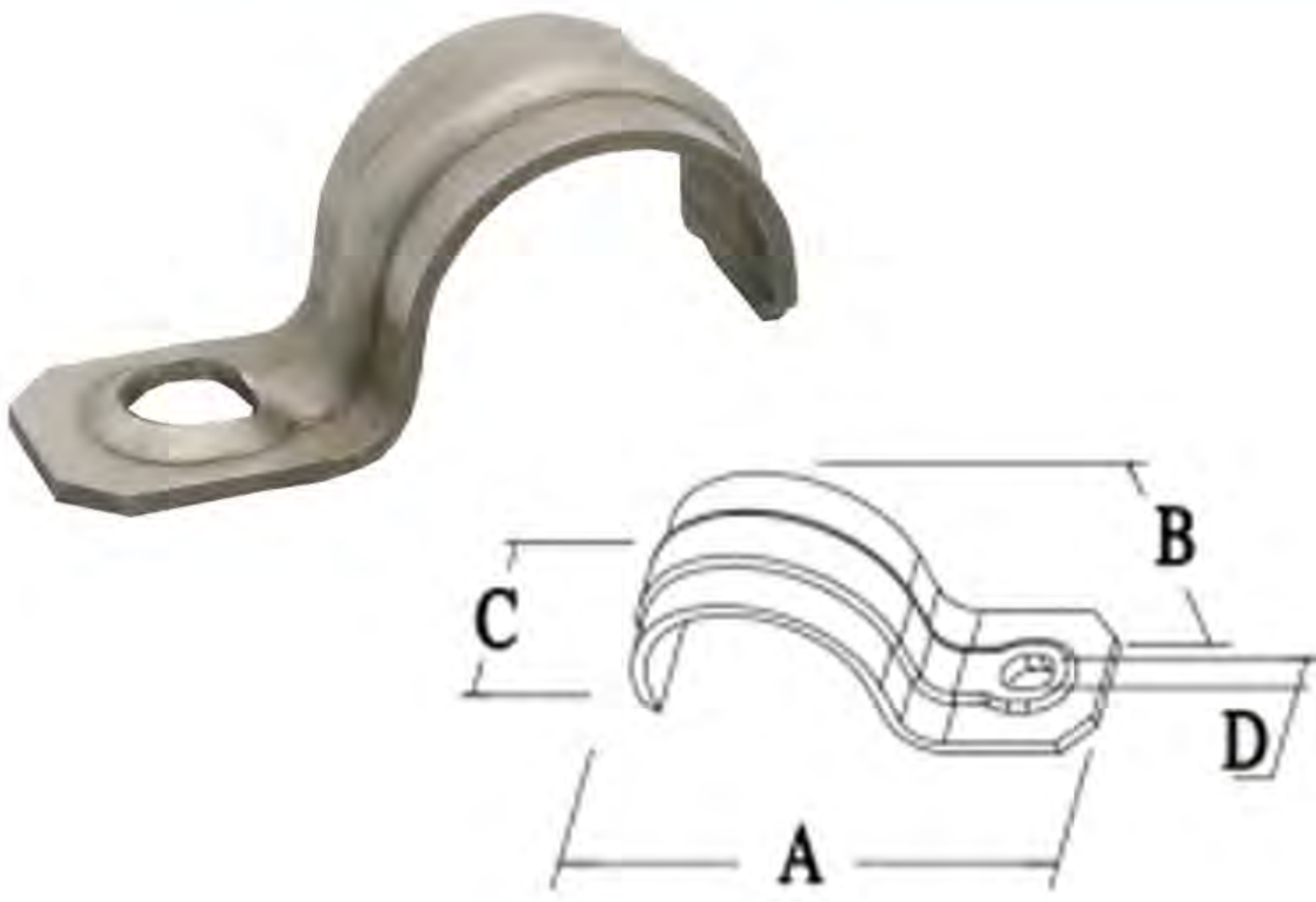
316 Stainless Steel

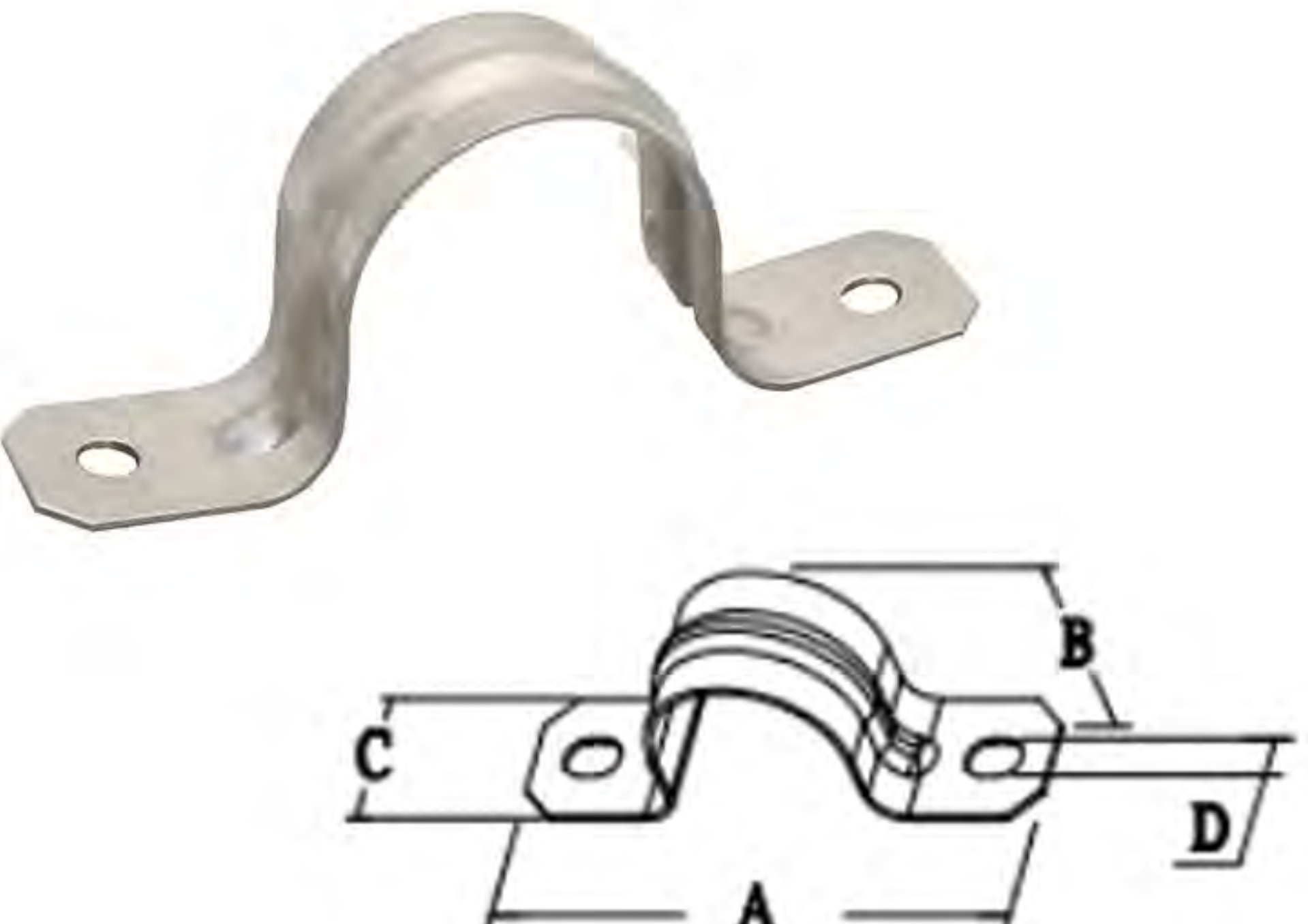
Locknuts	Dimensions					
	Size	Cat. #	A		B	
			Inch	mm	Inch	mm
	1/2"	LN50SS	1.14	28.9	0.23	5.8
	3/4"	LN75SS	1.39	35.3	0.23	5.8
	1"	LN100SS	1.73	43.9	0.27	6.9
	1-1/4"	LN125SS	2.08	52.8	0.27	6.9
	1-1/2"	LN150SS	2.4	61.0	0.30	7.6
	2"	LN200SS	2.91	73.9	0.30	7.6

Reducing Bushings, Female to Male	Dimensions					
	Size	Cat. #	A		B	
			Inch	mm	Inch	mm
	3/4"-1/2"	RB2SS	1.04	26.4	0.57	14.4
	1"-1/2"	RB3SS	1.28	32.5	0.64	16.3
	1"-3/4"	RB4SS	1.28	32.5	0.64	16.3
	1-1/2"-1/2"	RB8SS	1.86	47.2	0.75	19.1
	1-1/2"-3/4"	RB9SS	1.86	47.2	0.75	19.1
	2"-1/2"	RB12SS	2.33	59.2	0.82	20.8
	2"-3/4"	RB13SS	2.33	59.2	0.82	20.8
	2"-1"	RB14SS	2.33	59.2	0.82	20.8
	2"-1-1/2"	RB16SS	2.33	59.2	0.82	20.8

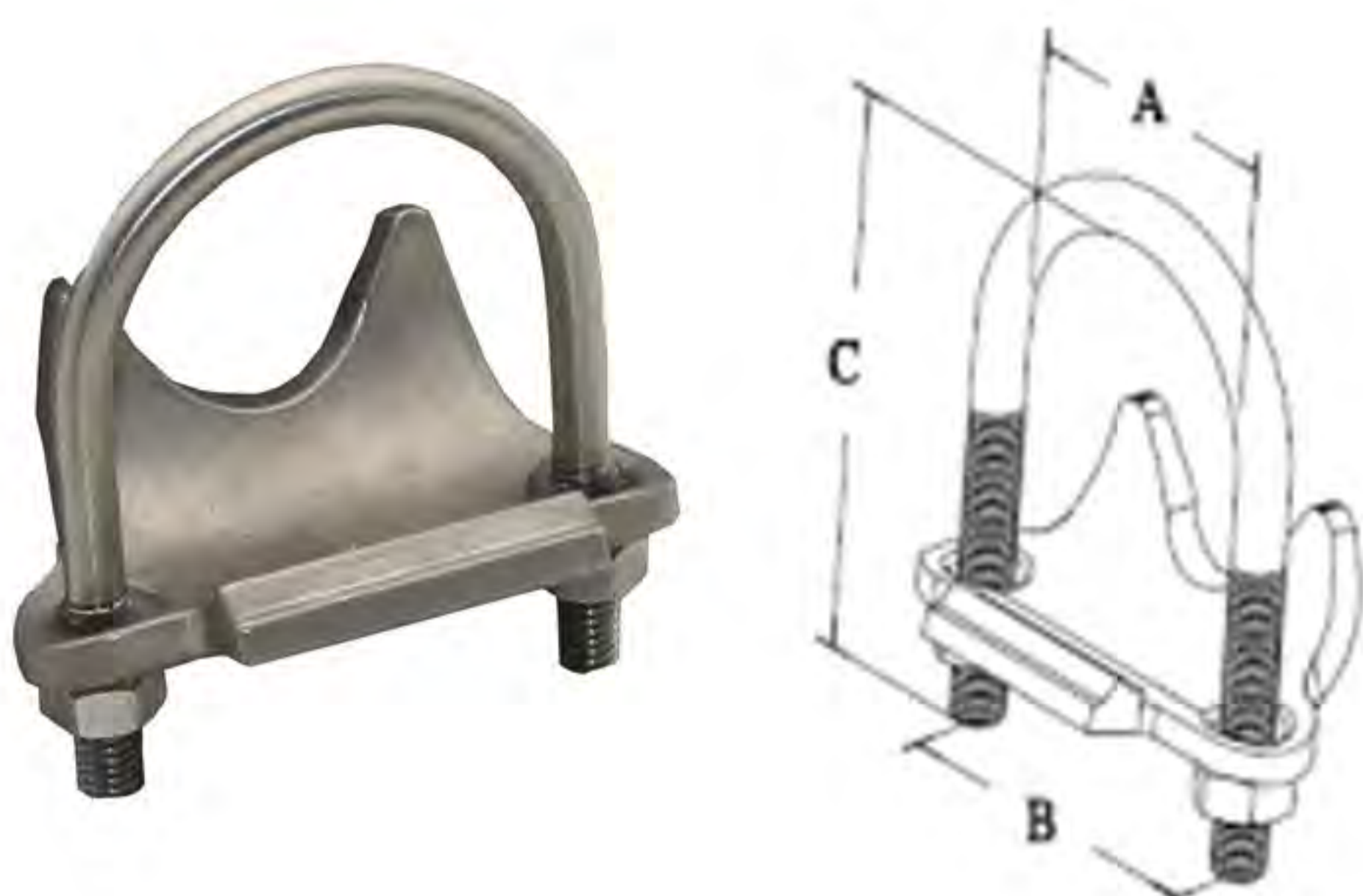
# 316 Stainless Steel Conduit Fittings

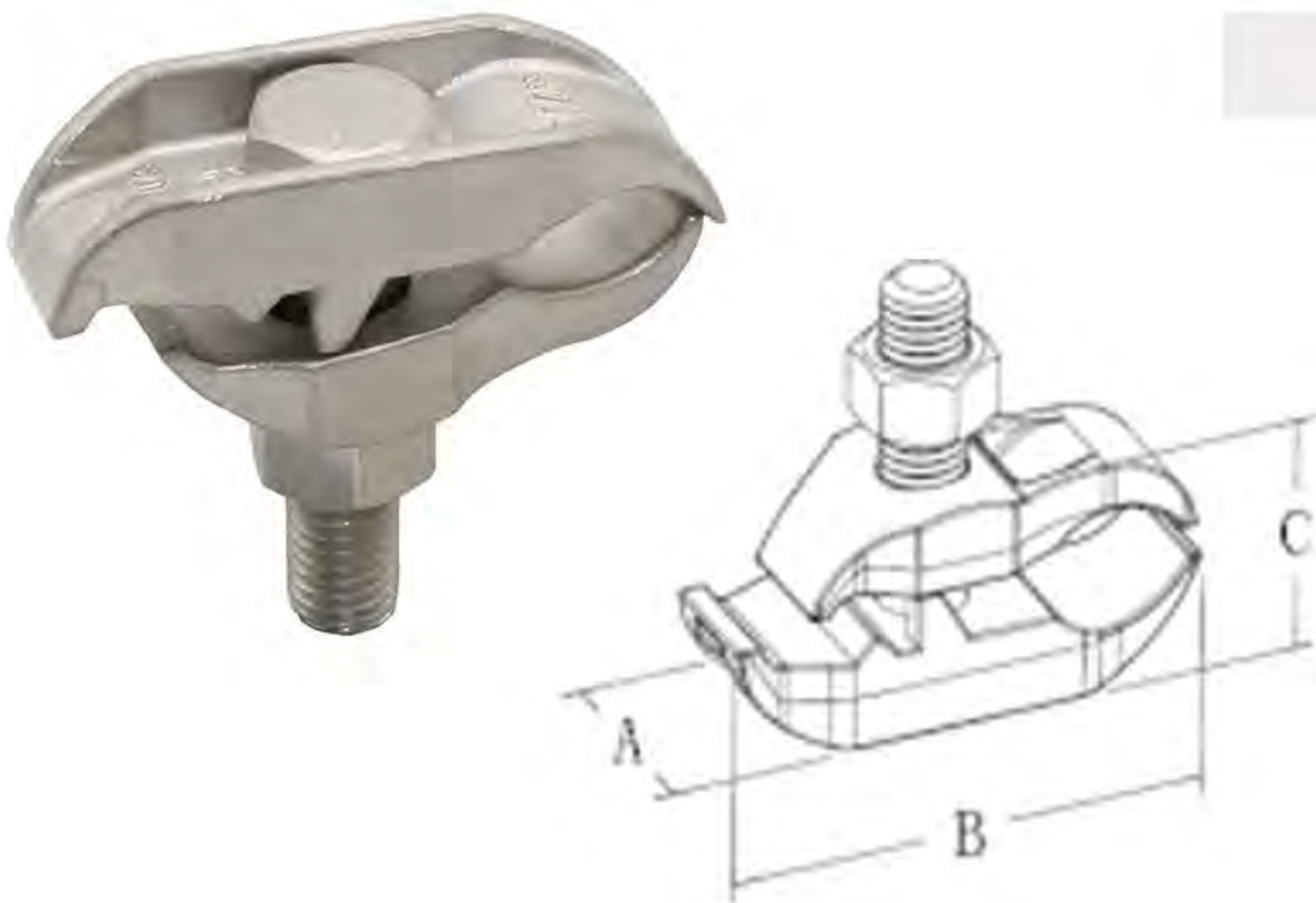
U-Bolts		Dimensions							
		Size	Cat. #	A		B		C	
		Inch	mm	Inch	mm	Inch	mm	Inch	mm
		1/2"	UB50SS	0.97	24.6	1.24	31.5	2.45	62.2
		3/4"	UB75SS	1.15	29.2	1.43	36.3	2.76	70.1
		1"	UB100SS	1.42	36.1	1.70	43.2	3	76.2
		1-1/4"	UB125SS	1.79	45.5	2.07	52.6	3.16	80.3
		1-1/2"	UB150SS	2.04	51.8	2.32	58.9	3.50	88.9
		2"	UB200SS	2.49	63.2	2.83	71.9	4.4	111.8
		2-1/2"	UB250SS	3.06	77.7	3.39	86.1	4.75	120.7
		3"	UB300SS	3.65	92.7	4.00	101.6	5.38	136.7
		3-1/2"	UB350SS	4.21	106.9	4.55	115.6	5.76	146.3
		4"	UB400SS	4.69	119.1	5.00	127.0	5.27	133.9


One hole straps		Dimensions									
		Size	Cat. #	A		B		C		D	
		Inch	mm	Inch	mm	Inch	mm	Inch	mm	Inch	mm
		1/2"	ORS50SS	1.87	47.5	0.87	22.1	0.63	16.0	0.25	6.35
		3/4"	ORS75SS	2.23	56.6	1.05	26.7	0.74	18.8	0.31	7.874
		1"	ORS100SS	2.60	66.0	1.29	32.8	0.87	22.1	0.36	9.144
		1-1/4"	ORS125SS	2.98	75.7	1.62	41.1	0.87	22.1	0.36	9.144
		1-1/2"	ORS150SS	3.54	89.9	1.81	46.0	1.00	25.4	0.43	10.922
		2"	ORS200SS	4.14	105.2	2.28	57.9	1.13	28.7	0.54	13.716
		2-1/2"	ORS250SS	4.96	126.0	2.89	73.4	1.24	31.5	0.57	14.478
		3"	ORS300SS	5.60	142.2	3.39	86.1	1.24	31.5	0.57	14.478
		3-1/2"	ORS350SS	6.26	159.0	3.91	99.3	1.24	31.5	0.57	14.478
		4"	ORS-400SS	6.77	172.0	4.31	109.5	1.24	31.5	0.57	14.478

Two hole straps		Dimensions										
		Size	Cat. #	A		B		C		D		
		Inch	mm	Inch	mm	Inch	mm	Inch	mm	Inch	mm	
		3/8"	TRS38SS									
		1/2"	TRS50SS	2.46	62.5	0.87	20.8	0.61	15.5	0.19	4.8	
		3/4"	TRS75SS	2.83	71.9	1.07	27.2	0.69	17.5	0.19	4.8	
		1"	TRS100SS	3.36	85.3	1.35	34.3	0.87	22.1	0.25	6.4	
		1-1/4"	TRS125SS	4.11	104.4	1.69	42.9	0.87	22.1	0.25	6.4	
		1-1/2"	TRS150SS	4.65	118.1	1.96	49.8	0.87	22.1	0.25	6.4	
		2"	TRS200SS	5.06	128.5	2.43	61.7	0.99	25.1	0.32	8.1	
		2-1/2"	TRS250SS	5.77	146.6	2.91	73.9	0.99	25.1	0.38	9.7	
		3"	TRS300SS	6.24	158.5	3.54	89.9	0.99	25.1	0.38	9.7	
		3-1/2"	TRS350SS	7.19	182.6	4.02	102.1	0.99	25.1	0.38	9.7	
4"	TRS400SS	7.76	197.1	4.52	114.8	0.99	25.1	0.38	9.7			

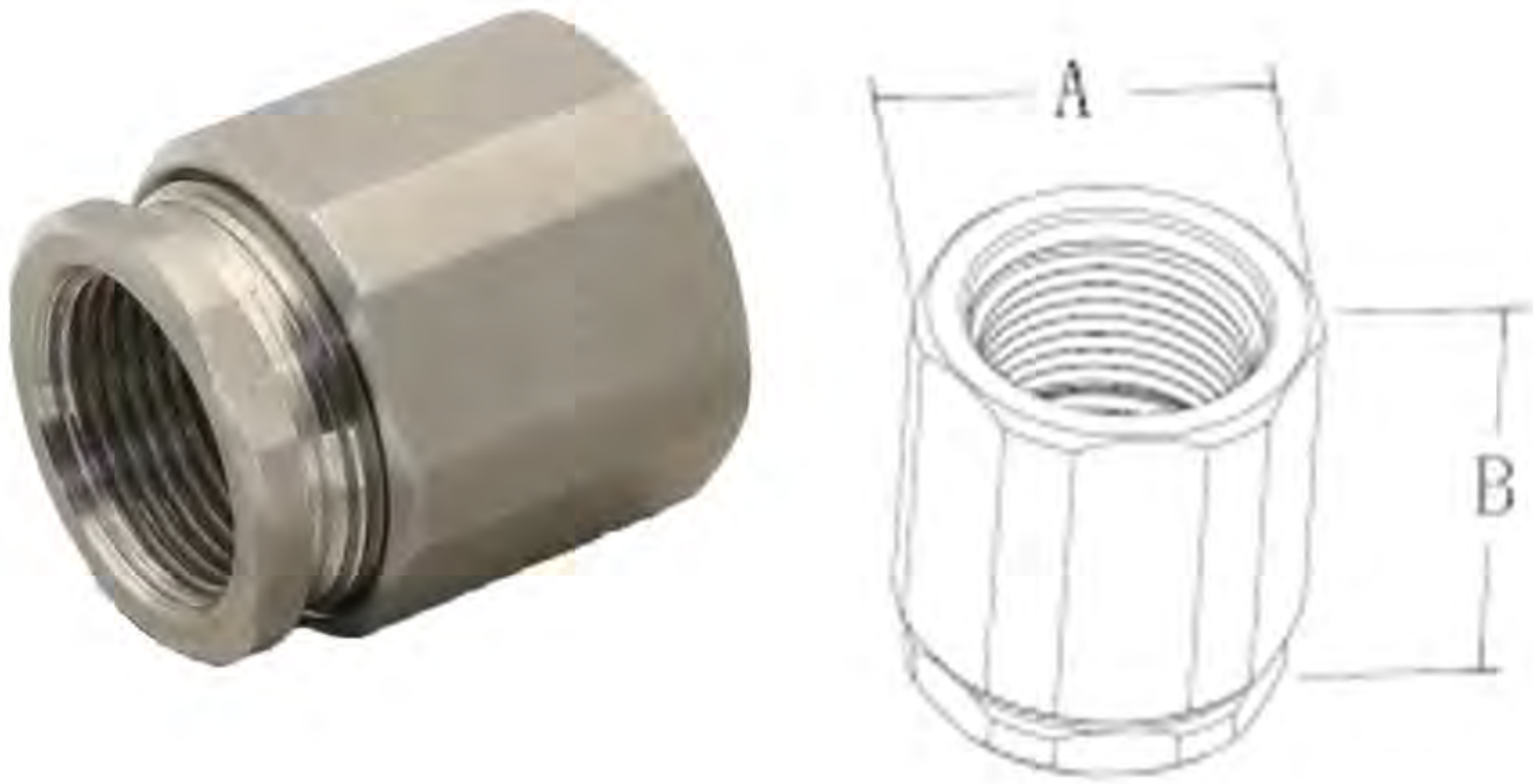
# 316 Stainless Steel Conduit Fittings


Right Angle Clamps		Dimensions							
		Size	Cat. #	A		B		C	
				Inch	mm	Inch	mm	Inch	mm
		1/2"	KRA50SS	0.97	24.6	1.24	31.5	2.45	62.2
		3/4"	KRA75SS	1.15	29.2	1.43	36.3	2.76	70.1
		1"	KRA100SS	1.42	36.1	1.70	43.2	3	76.2
		1-1/4"	KRA125SS	1.79	45.5	2.07	52.6	3.16	80.3
		1-1/2"	KRA150SS	2.04	51.8	2.32	58.9	3.50	88.9
		2"	KRA200SS	2.49	63.2	2.83	71.9	4.4	111.8
		2-1/2"	KRA250SS	3.06	77.7	3.39	86.1	4.75	120.7
		3"	KRA300SS	3.65	92.7	4.00	101.6	5.38	136.7
		3-1/2"	KRA350SS	4.21	106.9	4.55	115.6	5.76	146.3
		4"	KRA400SS	4.69	119.1	5.00	127.0	5.27	133.9


Parallel Clamps		Dimensions							
		Size	Cat. #	A		B		C	
				Inch	mm	Inch	mm	Inch	mm
		3/4"	PCS75SS	1.11	28.2	2.90	73.7	1.37	34.8
		1"	PCS100SS	1.11	28.2	3.10	78.7	1.37	34.8

Pipe Hangers			Dimensions										
			Size	Cat. #	Trade Size		Bolt Size	A		B		C	
					Rigid	EMT		Inch	mm	Inch	mm	Inch	mm
			1/2"	PH50SS	3/8"X1/2"	1/2"	1/4-20x1"	0.93	23.6	2.02	51.3	0.73	18.5
			3/4"	PH75SS	3/4"	3/4"	1/4-20x1"	1.14	29.0	2.26	57.4	0.73	18.5
			1"	PH100SS	1"	1"	1/4-20x1"	1.50	38.1	2.56	65.0	0.87	22.1
			1-1/4"	PH125SS	1-1/4"	1-1/2"	1/4-20x1-1/4"	1.93	49.0	3.01	76.5	0.87	22.1
			1-1/2"	PH150SS	1-1/2"	-	1/4-20x1-1/4"	2.14	54.4	3.32	84.3	1.00	25.4
			2"	PH200SS	2"	2"	1/4-20x2"	2.61	66.3	3.76	95.5	1	25.4
			2-1/2"	PH250SS	2-1/2"	2-1/2"	1/4-20x2"	3.14	79.8	4.44	112.8	1	25.4
			3"	PH300SS	3"	3"	1/4-20x2"	3.77	95.8	5.08	129.0	1.2	30.5
			4"	PH400SS	4"	4"	1/4-20x2"	4.80	121.9	6.07	154.2	1.2	30.5

# 316 Stainless Steel Conduit Fittings

Three Piece Couplings		Dimensions					
		Size	Cat. #	A		B	
				Inch	mm	Inch	mm
		1/2"	R3K50SS	1.31	33.3	1.36	34.5
		3/4"	R3K75SS	1.57	39.9	1.41	35.8
		1"	R3K100SS	1.87	47.5	1.62	41.1
		1-1/4"	R3K125SS	2.28	57.9	1.83	46.5
		1-1/2"	R3K150SS	2.59	65.8	1.94	49.3
		2"	R3K200SS	3.14	79.8	2.23	56.6
		2-1/2"	R3K250SS	3.72	94.5	3.09	78.5
		3"	R3K300SS	4.37	111.0	3.19	81.0
		3-1/2"	R3K350SS	4.90	124.5	3.37	85.6
		4"	R3K400SS	5.44	138.2	3.45	87.6

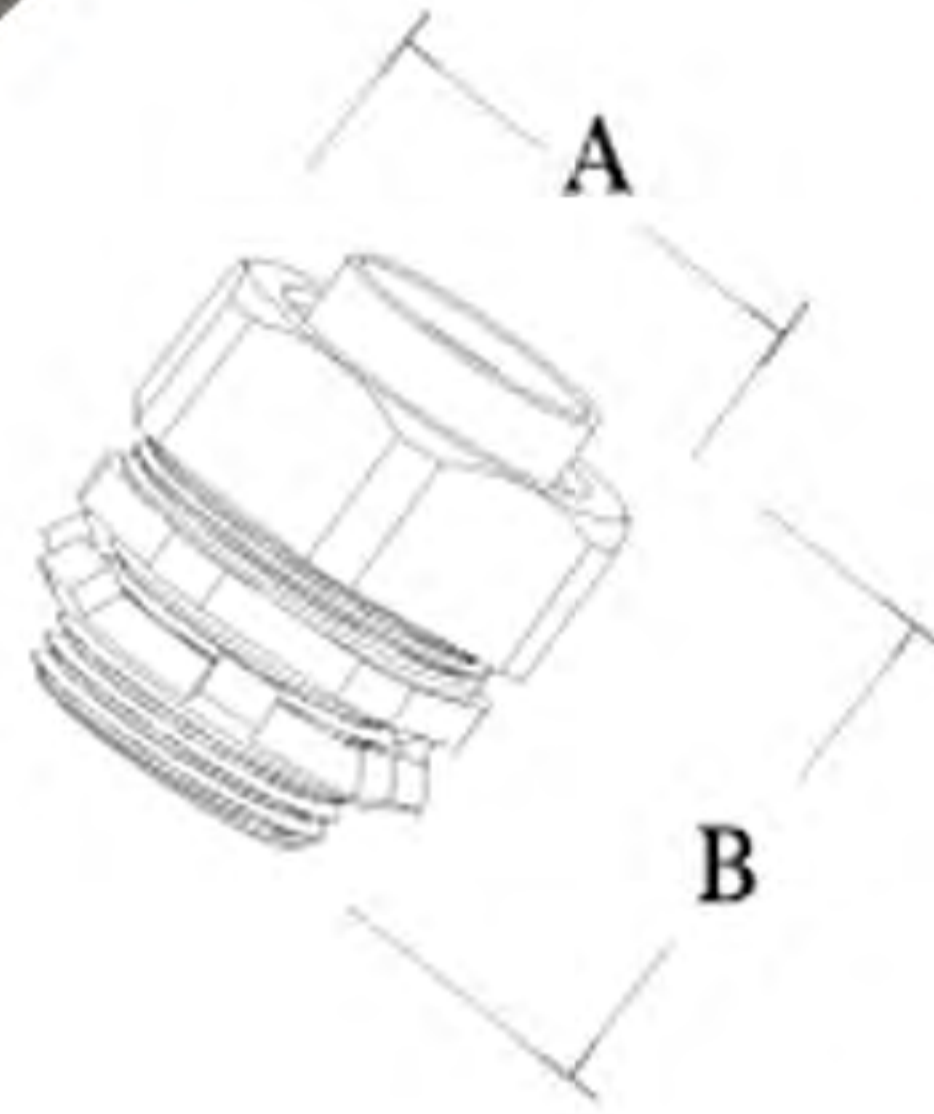
Sealing Rings		Dimensions					
		Size	Cat. #	A		B	
				Inch	mm	Inch	mm
		1/2"	SR50SS	1.14	29.0	0.16	4.1
		3/4"	SR75SS	1.37	34.8	0.16	4.1
		1"	SR100SS	1.62	41.1	0.16	4.1
		1-1/4"	SR125SS	1.98	50.3	0.16	4.1
		1-1/2"	SR150SS	2.25	57.2	0.16	4.1
		2"	SR200SS	2.75	69.9	0.16	4.1

Blind Plugs with Hex		Dimensions			
		Size	Cat. #	Total Length	
				Inch	mm
		1/2"	BP50SS	1.31	19.0
		3/4"	BP75SS	1.57	20.0
		1"	BP100SS	1.87	20.0
		1-1/4"	BP125SS	2.28	21.0
		1-1/2"	BP150SS	2.59	24.0
		2"	BP200SS	3.14	30.0
		2-1/2"	BP250SS	3.72	31.0
		3"	BP300SS	4.37	33.0

# 316 Stainless Steel Liquidtight Connectors

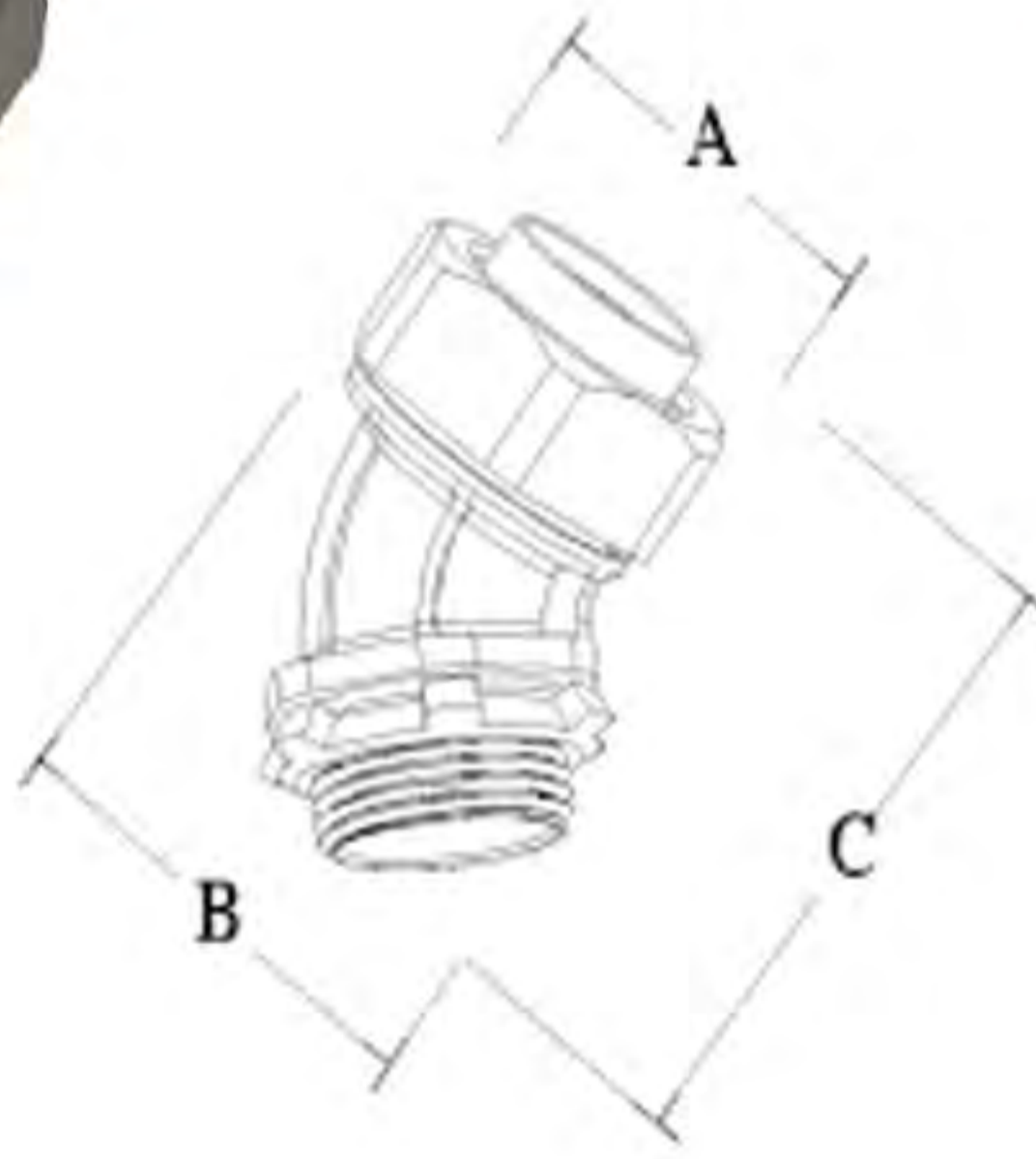
Used to connect non-metallic liquidtight conduit (type B) to box or enclosure. 316 Stainless Steel

## Straight



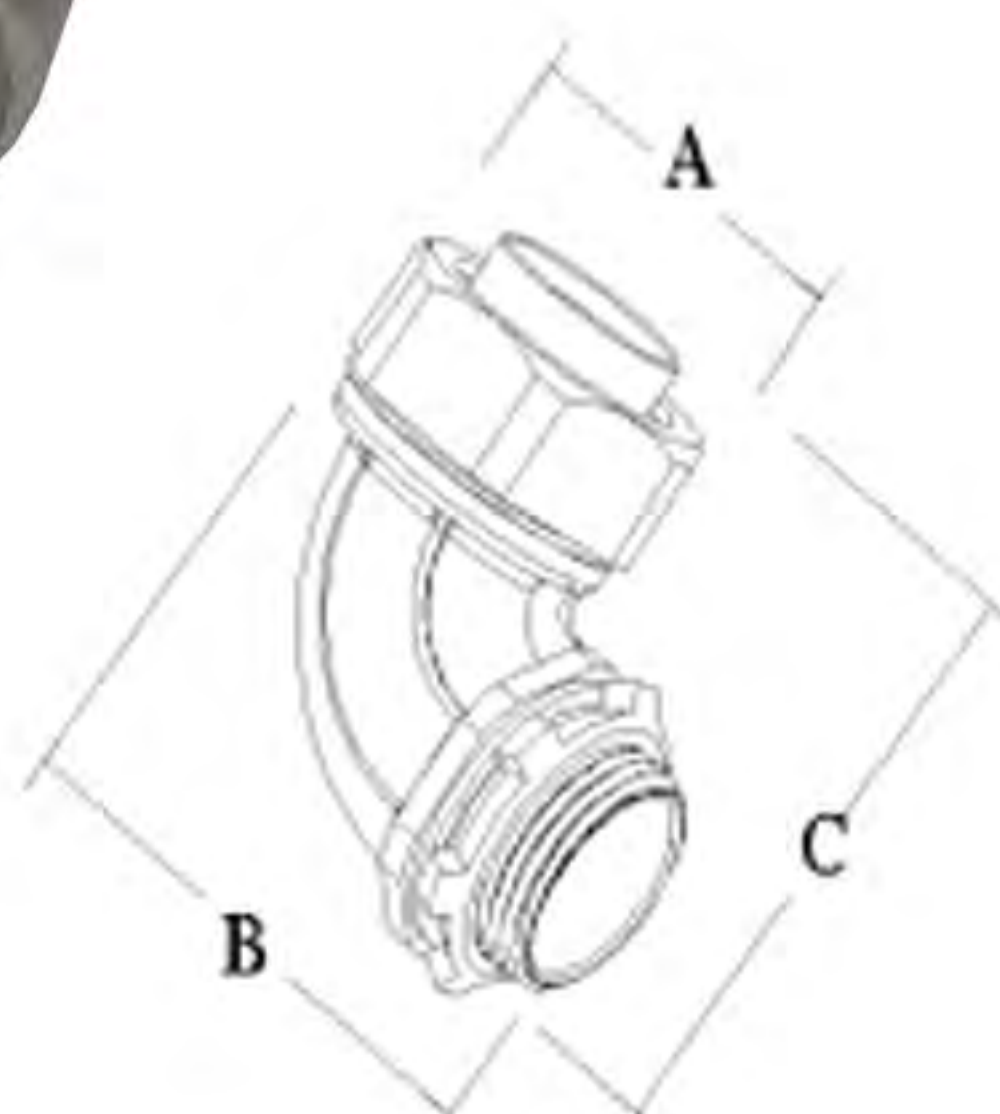
Catalog Number				Dimensions				
Insulated	Size	K.O. Size	Inch	mm	Inch	mm	Inch	mm
LT38SS	3/8"	1/2"	1.28	32.5	1.44	36.6	-	-
LT50SS	1/2"	1/2"	1.34	34.0	1.35	34.3	-	-
LT75SS	3/4"	3/4"	1.62	41.1	1.32	33.5	-	-
LT100SS	1"	1"	1.92	48.8	1.71	43.4	-	-
LT125SS	1-1/4"	1-1/4"	2.35	59.7	1.84	46.7	-	-
LT150SS	1-1/2"	1-1/2"	3.63	92.2	1.84	46.7	-	-
LT200SS	2"	2"	3.18	80.8	1.95	49.5	-	-

## 45°



LT4538SS	3/8"	1/2"	1.15	29.2	1.39	35.3	2.51	63.8
LT4550SS	1/2"	1/2"	1.28	32.5	1.50	38.1	2.51	63.8
LT4575SS	3/4"	3/4"	1.55	39.4	1.73	43.9	2.70	68.6
LT45100SS	1"	1"	1.83	46.5	2.11	53.6	3.05	77.5
LT45125SS	1-1/4"	1-1/4"	2.30	58.4	2.56	65.0	3.65	92.7
LT45150SS	1-1/2"	1-1/2"	2.55	64.8	2.77	70.4	4.01	101.9
LT45200SS	2"	2"	3.10	78.7	3.38	85.9	4.64	117.9

## 90°



LT9038SS	3/8"	1/2"	1.15	29.2	1.96	49.8	2.47	62.7
LT9050SS	1/2"	1/2"	1.28	32.5	2.10	53.3	2.54	64.5
LT9075SS	3/4"	3/4"	1.55	39.4	2.45	62.2	2.82	71.6
LT90100SS	1"	1"	1.83	46.5	2.83	71.9	3.08	78.2
LT90125SS	1-1/4"	1-1/4"	2.30	58.4	3.15	80.0	3.53	89.7
LT90150SS	1-1/2"	1-1/2"	2.55	64.8	3.50	88.9	4.17	105.9
LT90200SS	2"	2"	3.10	78.7	4.02	102.1	4.69	119.1



# Stainless Steel Conduits, Elbows, Nipples and Couplings

## Stainless Steel Rigid Couplings

UL 6A ANSI C80.5



Catalog Number							
304 SS	316 SS	Size	Threads per inch	O.D. Nominal Inch	O.D. Nominal mm	Min Length Inch	Min Length mm
SSC15	SSC15/6	1/2"	14	1.08	27.432	1.63	41.402
SSC20	SSC20/6	3/4"	14	1.33	33.782	1.64	41.656
SSC25	SSC25/6	1"	11-1/2"	1.56	39.624	1.97	50.038
SSC32	SSC32/6	1-1/4"	11-1/2"	1.95	49.53	2.03	51.562
SSC40	SSC40/6	1-1/2"	11-1/2"	2.22	56.388	3.06	77.724
SSC50	SSC50/6	2"	11-1/2"	2.75	69.85	2.13	54.102
SSC65	SSC65/6	2-1/2"	8"	3.28	83.312	3.19	81.026
SSC80	SSC80/6	3"	8"	3.94	100.076	3.31	84.074
SSC90	SSC90/6	3-1/2"	8"	4.44	112.776	3.4	86.36
SSC100	SSC100/6	4"	8"	5	127	3.52	89.408

## Stainless Steel Rigid Conduits

Sold as 10' length with coupling UL 6A ANSI C80.5



Catalog Number									
304 SS	316 SS	Size	Approx. Wt. Per 100 Ft. Kg	O.D. Nominal Inch	O.D. Nominal mm	Wall thickness Nominal Inch	Wall thickness Nominal mm	Qty in Master Bundle ft	Qty in Master Bundle pcs
RSSC15	RSSC15/6	1/2"	37.20	1.08	27.4	1.63	41.4	2500	250
RSSC20	RSSC20/6	3/4"	49.40	1.33	33.8	1.64	41.7	2000	200
RSSC25	RSSC25/6	1"	73.00	1.56	39.6	1.97	50.0	1250	125
RSSC32	RSSC32/6	1-1/4"	98.90	1.95	49.5	2.03	51.6	900	90
RSSC40	RSSC40/6	1-1/2"	119.30	2.22	56.4	3.06	77.7	800	80
RSSC50	RSSC50/6	2"	158.70	2.75	69.9	2.13	54.1	600	60
RSSC65	RSSC65/6	2-1/2"	253.50	3.28	83.3	3.19	81.0	370	37
RSSC80	RSSC80/6	3"	329.70	3.94	100.1	3.31	84.1	300	30
RSSC90	RSSC90/6	3-1/2"	399.10	4.44	112.8	3.40	86.4	250	25
RSSC100	RSSC100/6	4"	467.10	5.00	127.0	3.52	89.4	200	20

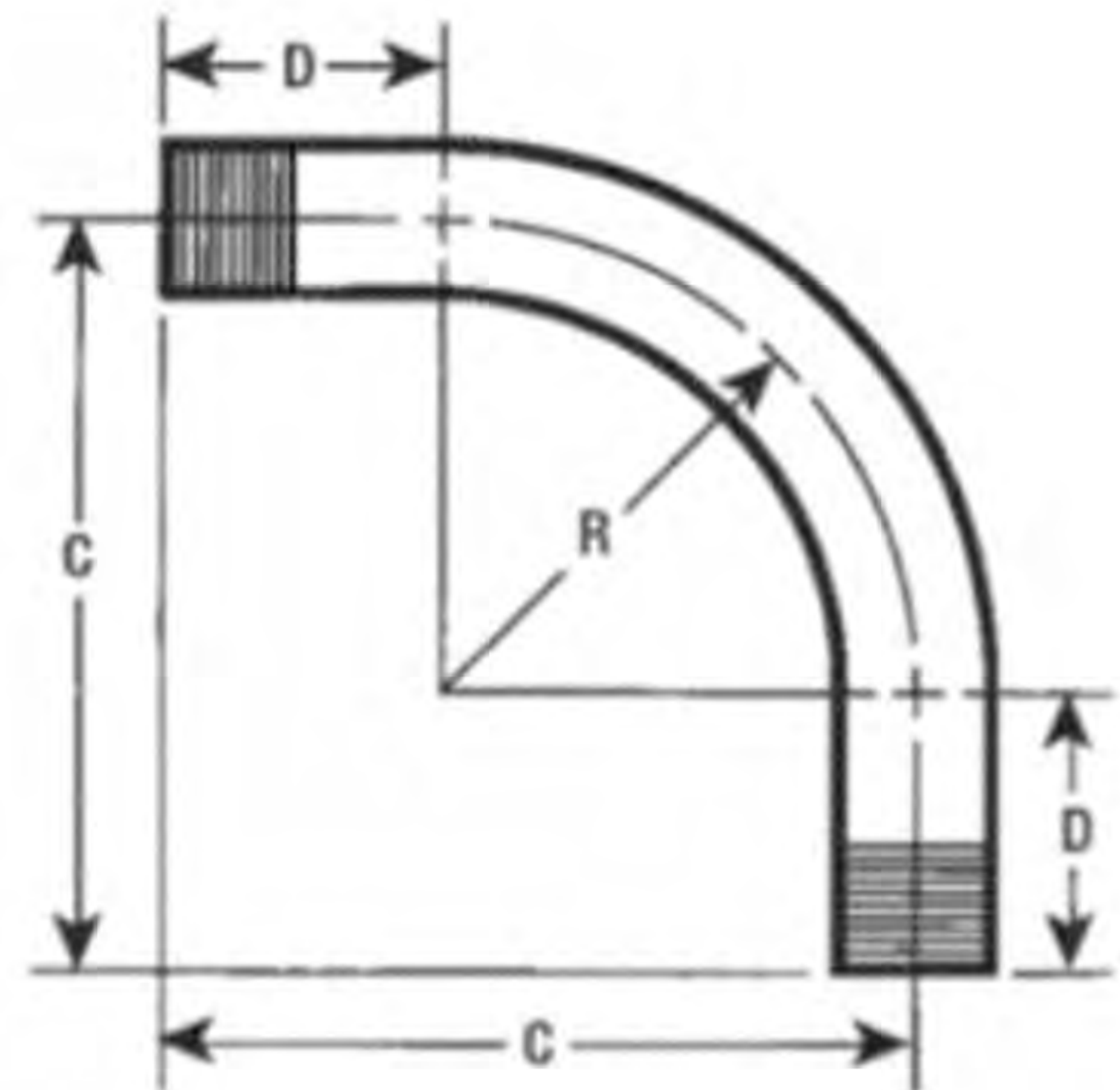
# Stainless Steel Conduits, Elbows, Nipples and Couplings

UL 6A ANSI C80.5



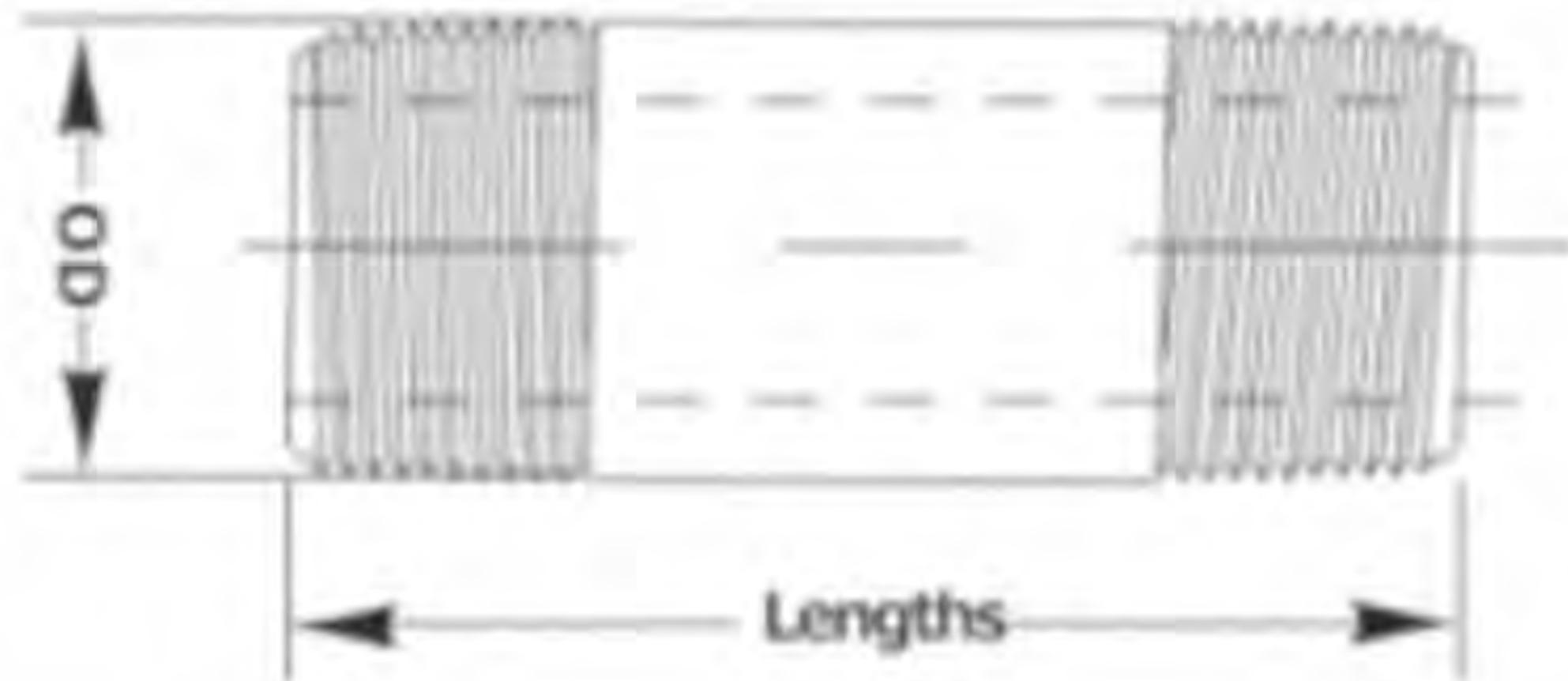
Catalog Number			Min Radius		Offset		Straight End	
304 SS	316 SS	Size	R		C		D	
			Inch	mm	Inch	mm	Inch	mm
RSSCE9015	RSSCE9015/6	1/2"	4.00	101.6	6.96	176.8	2.50	63.5
RSSCE9020	RSSCE9020/6	3/4"	4.50	114.3	7.73	196.3	2.50	63.5
RSSCE9025	RSSCE9025/6	1"	5.75	146.1	9.36	237.7	3.00	76.2
RSSCE9032	RSSCE9032/6	1-1/4"	7.25	184.2	11.38	289.1	3.25	82.6
RSSCE9040	RSSCE9040/6	1-1/2"	8.25	209.6	12.76	324.1	3.50	88.9
RSSCE9050	RSSCE9050/6	2"	9.50	241.3	15.01	381.3	4.25	108.0
RSSCE9065	RSSCE9065/6	2-1/2"	10.50	266.7	17.11	434.6	5.00	127.0
RSSCE9080	RSSCE9080/6	3"	13.00	330.2	20.33	516.4	5.50	139.7
RSSCE9090	RSSCE9090/6	3-1/2"	15.00	381.0	23.38	593.9	6.25	158.8
RSSCE90100	RSSCE90100/6	4"	16.00	406.4	25.40	645.2	7.00	177.8

Available in standard sizes 90°, 60°, 45°, 30°, 22.5° bends



# Stainless Steel Conduits, Elbows, Nipples and Couplings

- Used to connect two outlet boxes.
- UL 6A
- ANSI C80.5



## Type 304 SS

Size	O.D. Inch	CLOSE	2"	2-1/2"	3"	3-1/2"	4"	5"	6"	8"	10"	12"
1/2"	0.840	SS15CL	SS1520	SS15	SS1530	SS1535	SS1540	SS1550	SS1560	SS1580	SS15100	SS15120
3/4"	1.015	SS20CL	SS2020	SS20	SS2030	SS2035	SS2040	SS2050	SS2060	SS2080	SS20100	SS20120
1"	1.315	SS25CL	SS2520	SS25	SS2530	SS2535	SS2540	SS2550	SS2560	SS2580	SS25100	SS25120
1-1/4"	1.600	SS32CL	SS3220	SS32	SS3230	SS3235	SS3240	SS3250	SS3260	SS3280	SS32100	SS32120
1-1/2"	1.900	SS40CL	SS4020	SS40	SS4030	SS4035	SS4040	SS4050	SS4060	SS4080	SS40100	SS40120
2"	2.375		SS5020	SS50	SS5030	SS5035	SS5040	SS5050	SS5060	SS5080	SS50100	SS50120
2-1/2"	2.875			SS65	SS6530	SS6535	SS6540	SS6550	SS6560	SS6580	SS65100	SS65120
3"	3.500				SS8030	SS8035	SS8040	SS8050	SS8060	SS8080	SS80100	SS80120
3-1/2"	4.000					SS9035	SS9040	SS9050	SS9060	SS9080	SS90100	SS90120
4"	4.500						SS10040	SS10050	SS10060	SS10080	SS100100	SS100120

## Type 316 SS

Size	O.D. Inch	CLOSE	2"	2-1/2"	3"	3-1/2"	4"	5"	6"	8"	10"	12"
1/2"	0.840	SS15CL/6	SS1520/6	SS15/6	SS1530/6	SS1535/6	SS1540/6	SS1550/6	SS1560/6	SS1580/6	SS15100/6	SS15120/6
3/4"	1.015	SS20CL/6	SS2020/6	SS20/6	SS2030/6	SS2035/6	SS2040/6	SS2050/6	SS2060/6	SS2080/6	SS20100/6	SS20120/6
1"	1.315	SS25CL/6	SS2520/6	SS25/6	SS2530/6	SS2535/6	SS2540/6	SS2550/6	SS2560/6	SS2580/6	SS25100/6	SS25120/6
1-1/4"	1.600	SS32CL/6	SS3220/6	SS32/6	SS3230/6	SS3235/6	SS3240/6	SS3250/6	SS3260/6	SS3280/6	SS32100/6	SS32120/6
1-1/2"	1.900	SS40CL/6	SS4020/6	SS40/6	SS4030/6	SS4035/6	SS4040/6	SS4050/6	SS4060/6	SS4080/6	SS40100/6	SS40120/6
2"	2.375		SS5020/6	SS50/6	SS5030/6	SS5035/6	SS5040/6	SS5050/6	SS5060/6	SS5080/6	SS50100/6	SS50120/6
2-1/2"	2.875			SS65/6	SS6530/6	SS6535/6	SS6540/6	SS6550/6	SS6560/6	SS6580/6	SS65100/6	SS65120/6
3"	3.500				SS8030/6	SS8035/6	SS8040/6	SS8050/6	SS8060/6	SS8080/6	SS80100/6	SS80120/6
3-1/2"	4.000					SS9035/6	SS9040/6	SS9050/6	SS9060/6	SS9080/6	SS90100/6	SS90120/6
4"	4.500						SS10040/6	SS10050/6	SS10060/6	SS10080/6	SS100100/6	SS100120/6



Leaderful Techonology (Ningbo) Co., Ltd.  
Website: [www.leaderful-tech.com](http://www.leaderful-tech.com)  
Email: [sales@leaderful-tech.com](mailto:sales@leaderful-tech.com)  
Address : NINGBO, CHINA